



KAIWAN

KAIMAN

KAIMAN: combined wall bracket and shelf support for glass shelf 7 to 19mm thick and wood shelf 18 to 41mm thick.

Can be fixed:

- to cement wall with rawlplug Ø8mm and pan head screw Ø5x50mm.
- to plaster board with umbrella fitting Ø8mm & pan head screw M4x46mm.
- to wood panels 18mm thick with special designed spreading dowel and M6 bolt.

Useful fixing method for aligning wall brackets and easy adjustment front to back shelf angle as required.

Capable of supporting a 25Kg load each (shelf weight included), for a shelf 320mm deep.

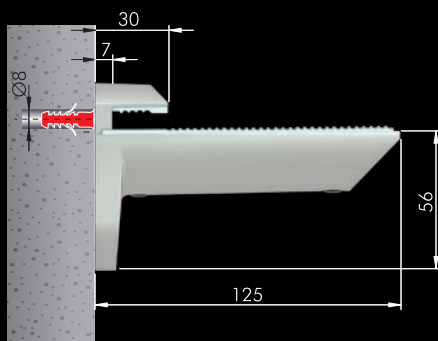
Zinc alloy
Engineering plastic

Part. no	Finish	Engineering plastic
7033 50	silver painted	water green
7033 51	stainless steel	water green

Other finishes available on request

Box of pcs. 2 with wall hardware included

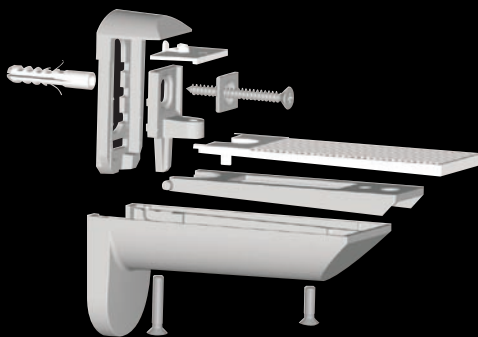
FIXING TO CEMENT WALL WITH RAWLPLUG



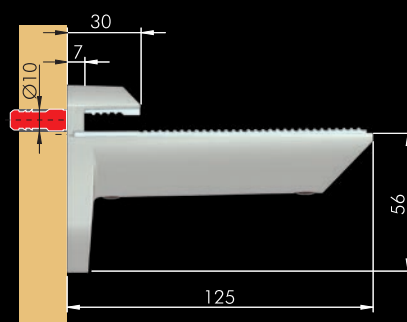
It is the responsibility of the customer:

- to ensure that the wall is of a suitable quality to hold the shelf fixing in place.
- to use the right hardware fitting as required.

DETAILS



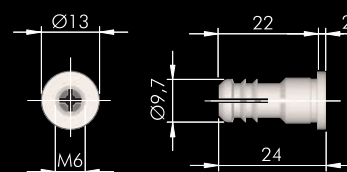
FIXING TO 18MM THICK PANEL WITH SPECIAL SPREADING DOWEL AND BOLT



It is the responsibility of the customer:

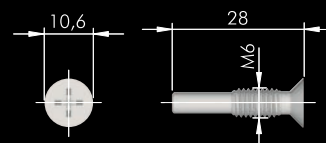
- to ensure that the wall is of a suitable quality to hold the shelf fixing in place.
- to use the right hardware fitting as required.

SPREADING DOWEL



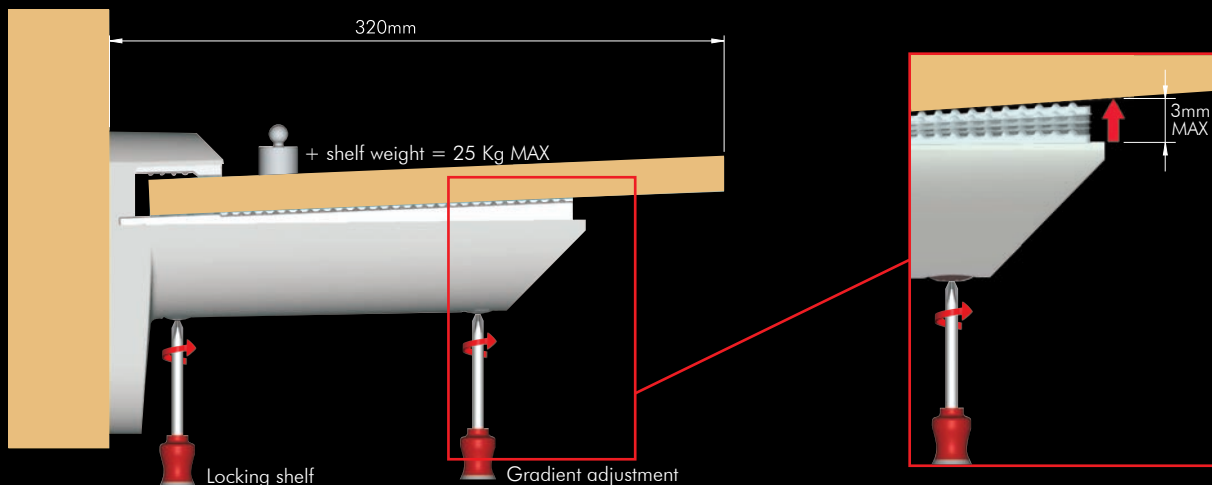
Part. no	Finish
3518 92	Nickel

BOLT



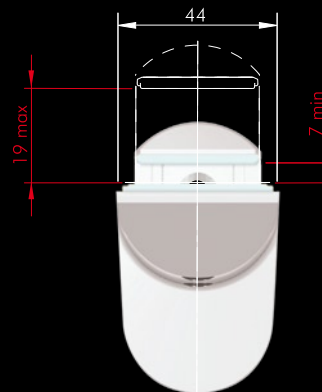
Part. no	Finish
4014 81	Nickel

ADJUSTMENTS

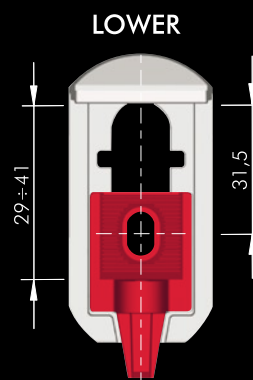
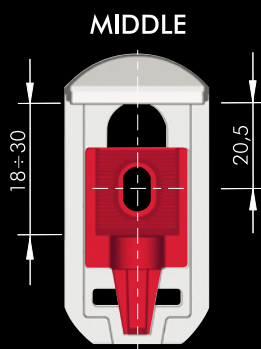
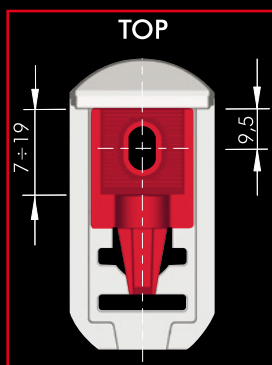


PATENTED

KAIMAN DECORATIVE GLASS SHELVING SYSTEMS

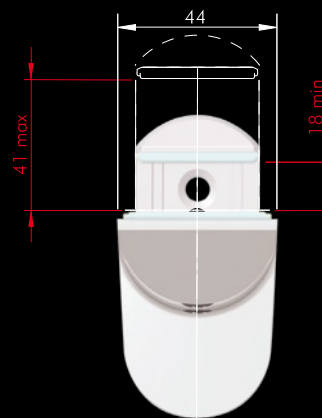
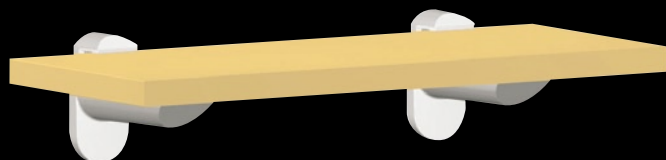


POSITION OF THE RIDGE PLATE

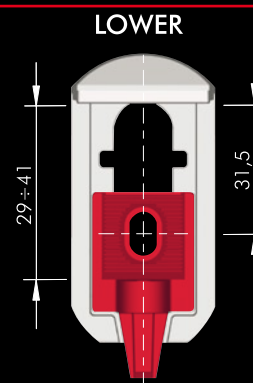
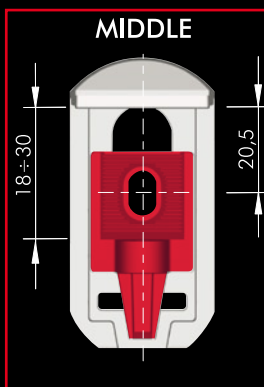
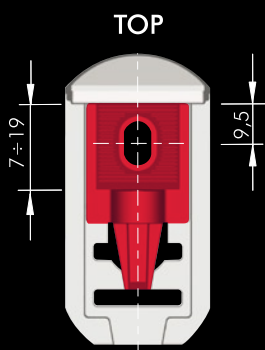


Position of the ridge plate in the top wall bracket gauge.

KAIMAN DECORATIVE WOOD SHELVING SYSTEMS



POSITION OF THE RIDGE PLATE



Position of the ridge plate in the middle/lower wall bracket gauge, according to the shelf thickness.

KAIMAN MAXI

KAIMAN MAXI: combined wall bracket and shelf support for wood shelf 39 to 73mm thick.

Can be fixed:

- to cement wall with rawlplug Ø8mm and pan head screw Ø5x50mm.
- to wood panels with Ø5mm countersunk head screw only;
- to wood panels 18mm thick with special designed spreading dowel and M6 bolt.
- to plaster board with umbrella fitting Ø8mm and pan head screw M4x46mm.

Useful fixing method for aligning wall brackets and easy adjustment front to back shelf angle as required.

Capable of supporting a 25Kg load each (shelf weight included), for a shelf 320mm deep.

Zinc alloy
Engineering plastic

Part. no	Finish	Engineering plastic
7033 60	silver painted	water green
7033 61	stainless steel	water green

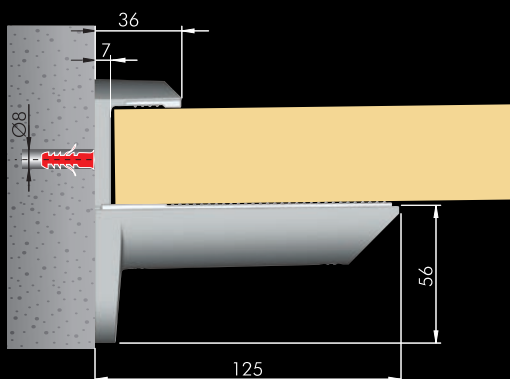
Other finishes available on request

Box of pcs. 2 with wall hardware included

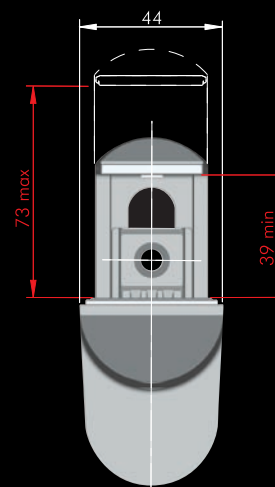


PATENTED

FIXING TO WALL WITH RAWLPLUG



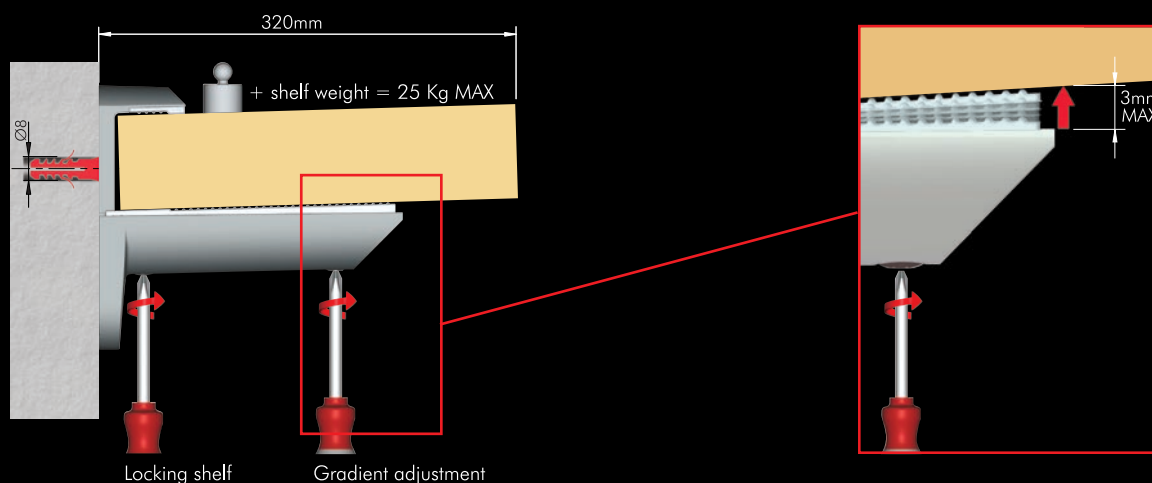
SHELF THICKNESS



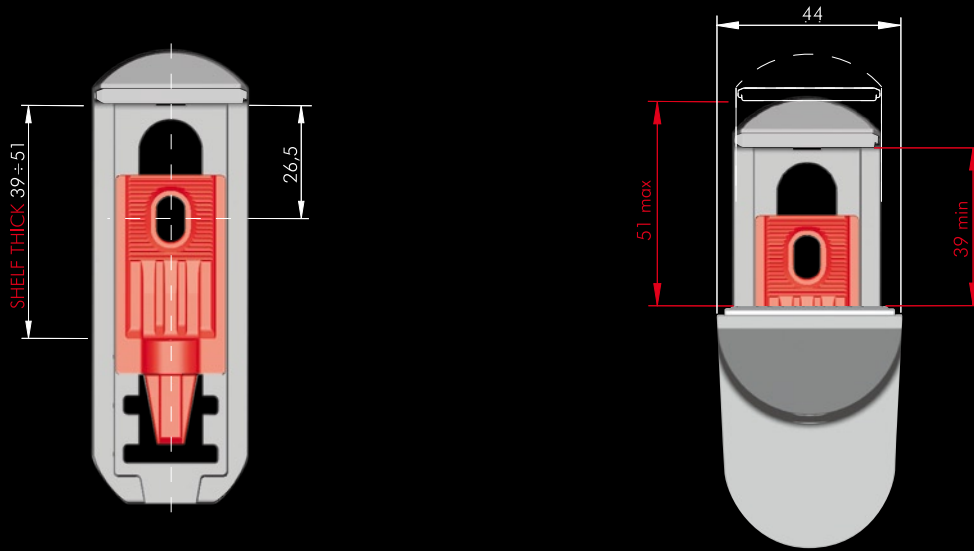
It is the responsibility of the customer:

- to ensure that the wall is of a suitable quality to hold the shelf fixing in place.
- to use the right hardware fitting as required.

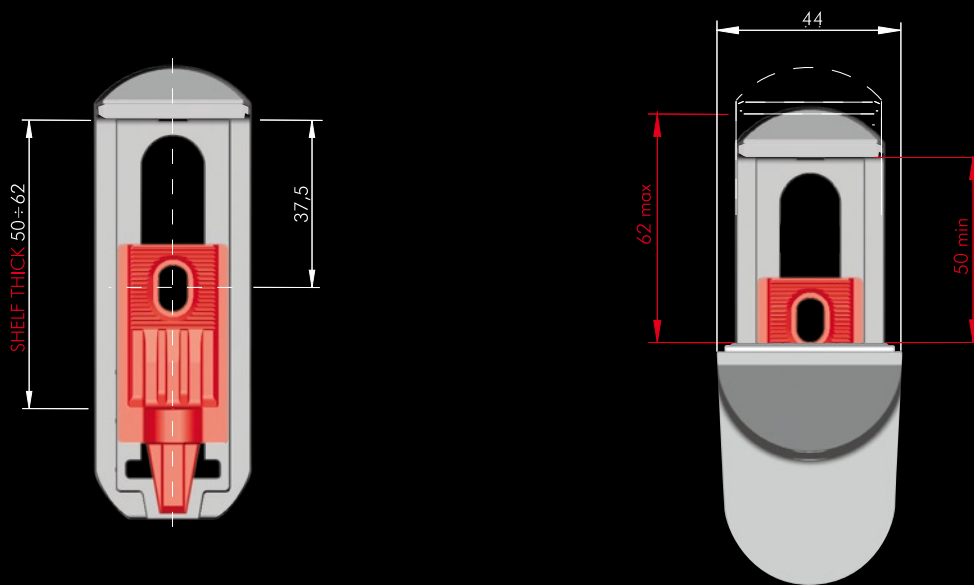
ADJUSTMENTS



TOP POSITION OF THE RIDGE PLATE



MIDDLE POSITION OF THE RIDGE PLATE



LOWER POSITION OF THE RIDGE PLATE

